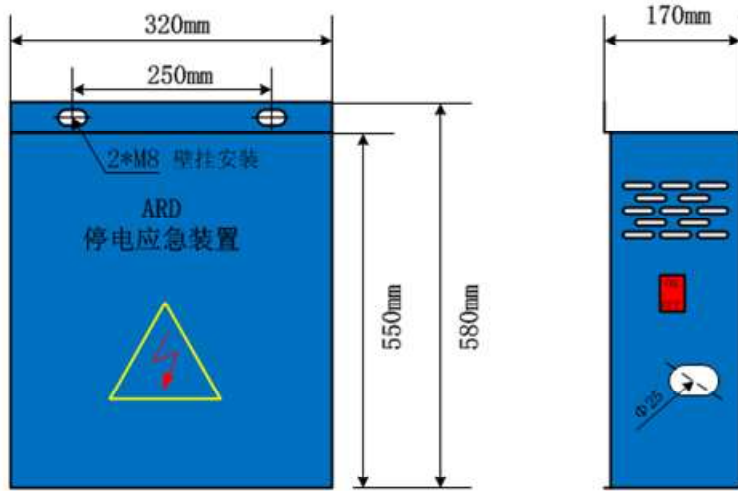
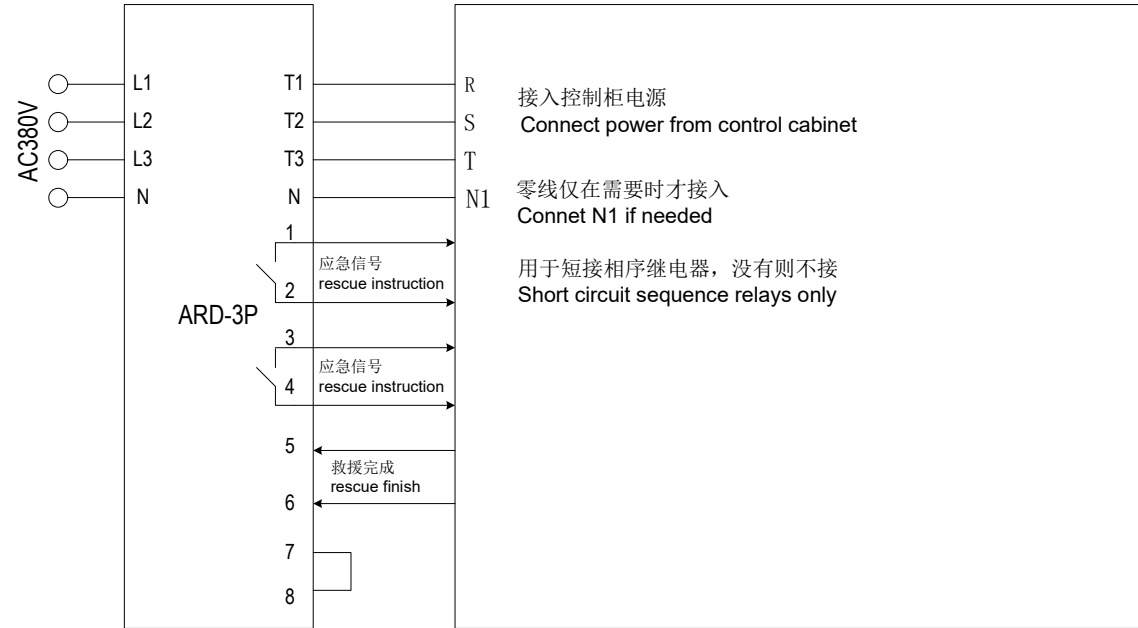


HY-ARD-3P Series



Wiring



Specifications

产品型号 Product Name	输入电压 Input Voltage	输出电压 Output Voltage	适配功率 Adaptive Power	电池容量 Batte Capacity	含电池重量 Weight withbattery	不含电池重量 Weight withoutbattery	外形尺寸 PKG size
HY-3P07-2	三相 three phase AC220V 50/60Hz	三相 three phase AC220V 50/60Hz	7.5kw	DC12V7AH*6	45KG	31KG	620*470*245
HY-3P11-2			11kw	DC12V7AH*6	45KG	31KG	
HY-3P15-2			15kw	DC12V7AH*7	46KG	31KG	
HY-3P18-2			18.5kw	DC12V7AH*7	46KG	31KG	
HY-3P22-2			22kw	DC12V9AH*7	47KG	31KG	
HY-3P07-3	三相 three phase AC380V 50/60Hz	三相 three phase AC380V 50/60Hz	7.5kw	DC12V7AH*6	45KG	31KG	
HY-3P11-3			11kw	DC12V7AH*6	45KG	31KG	
HY-3P15-3			15kw	DC12V7AH*7	46KG	31KG	
HY-3P18-3			18.5kw	DC12V7AH*7	46KG	31KG	
HY-3P22-3			22kw	DC12V9AH*7	47KG	31KG	

